



Surpass® DESK MOUNTED GLASS PRIVACY SCREEN

⚠ WARNING

Failure to install product as instructed, use of hardware other than that which is provided with the product, or failure to comply with all instructions can result in personal injury.

INSTALLATION INSTRUCTIONS

Product ships unassembled with the glass and base separate.

Package includes:

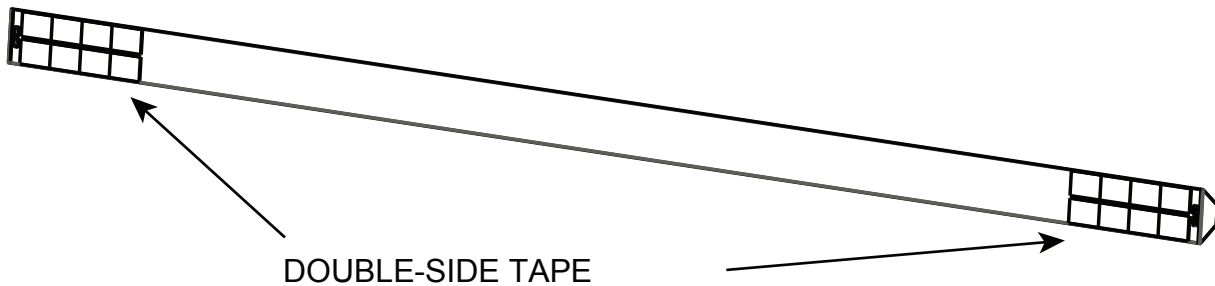
1. Glass screen
2. Screen base
3. 3 wood screws

Tools Needed:

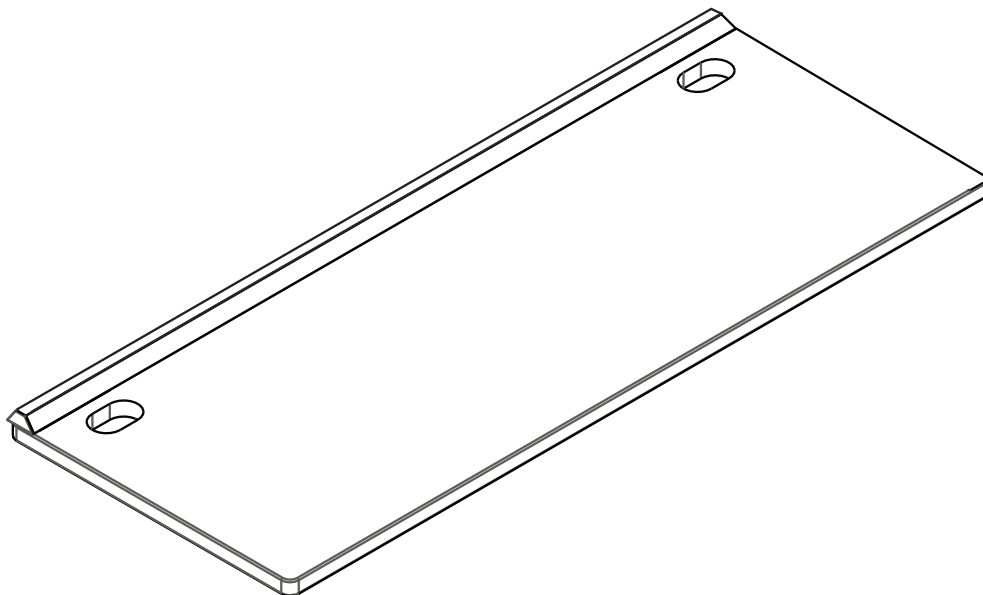
1. Electric drill with a Philips head
2. Rubber Mallet

1. Peel the backer off the double-sided tape on the bottom of the base.

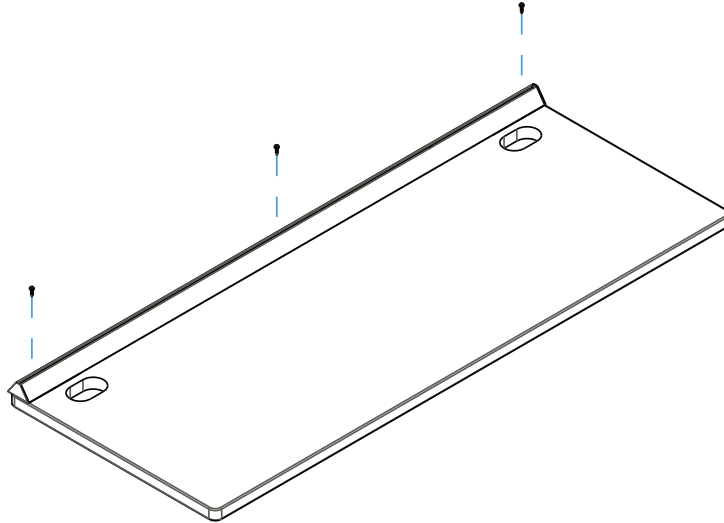
GLASS PRIVACY SCREEN BASE



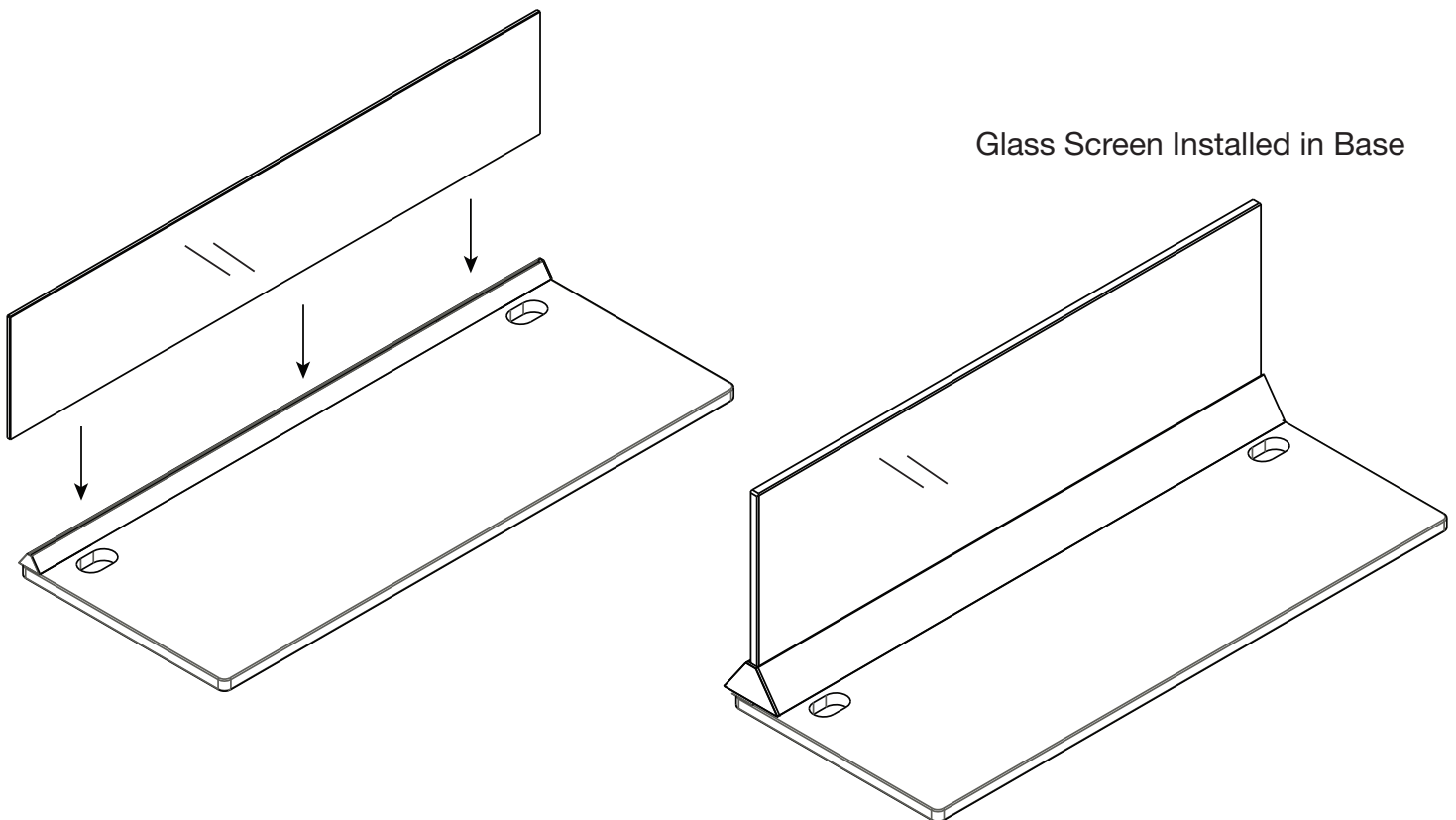
2. Adhere it to the worksurface after lining up with the back edge.



3. Use a drill and screw the wood screws into the worksurface through the 3 holes in the screen base as shown. Gaskets may need to be moved aside to access the holes. Use a pencil or screwdriver to push them out of the way and back after the screws are installed. Screws must go in from the top as shown.



4. Hold the glass firmly and gently tap into the top slot of the base. There are gaskets in the base to hold the glass in place. Glass must be pressed down as far as it will go into the base. You may use a rubber mallet to GENTLY tap the glass into place.



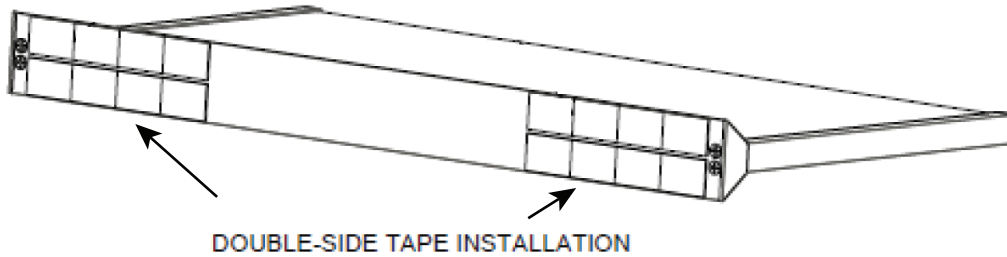


Surpass® DESK MOUNTED FABRIC PRIVACY SCREEN

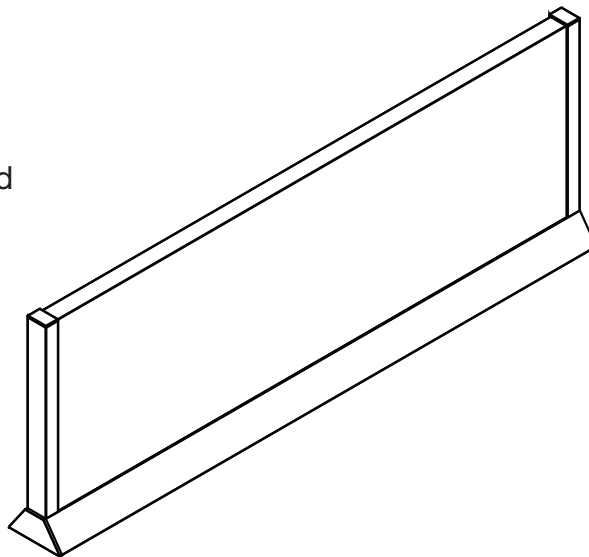
⚠ WARNING

Failure to install product as instructed, use of hardware other than that which is provided with the product, or failure to comply with all instructions can result in personal injury.

1. PRODUCT COMES FULLY ASSEMBLED.
2. USER MUST PEEL BACKER OFF THE DOUBLE-SIDED TAPE ON THE BASE.
3. LINE UP SCREEN WITH SIDE AND BACK-EDGES OF WORKSURFACE AND PRESS FIRMLY DOWN HOLDING THE SIDES OF THE SCREEN ONLY. DO NOT GRAB TOP OF SCREEN.



Fabric Screen Assembled



INSTALLATION INSTRUCTIONS